

# SHADOW

# Stablemate Bumper Pull Models

## Shadow Trailers - Setting The Standard for Innovation

US Models Shown

### Standard Stablemate Features:

- Coupler: 2 - 5/16" Ball
- Jack: Standard Single Speed
- Axles: Two (2) 3500# Torsion, with Electric Brakes
- Wheels/ Tires: 15" Steel ST225-75R-15 Load Range "D"
- Nose: .050" White Alum. and 12" Diamond Plate Lower
- Dress Room: Saddle Rack Mount(s), Bridle Hooks, Spare Tire Mount, Dome Light
- Horse Area: Rubber Mats on Walls, Drop Down Feed Windows with Integrate Bars, Dome Light(s)
- Floor: Interlocking Aluminium with Rubber Mats
- Electrical: Exterior LED Lights - Stop, Turn, & Running, Tag Light, 14 ga Wiring in Conduit w/ Junction Boxes
- Safety: Break-Away Switch and Safety Cables
- D.O.T. Tape: On Both Sides and Rear
- Logo's: Nose, Sides, and Rear

For Detailed list of features, specs, and options; visit [www.MyShadow.com.au](http://www.MyShadow.com.au).

All Aluminium Construction  
Quality Product with Noticable Value  
A Product You Can Be Confident Investing In

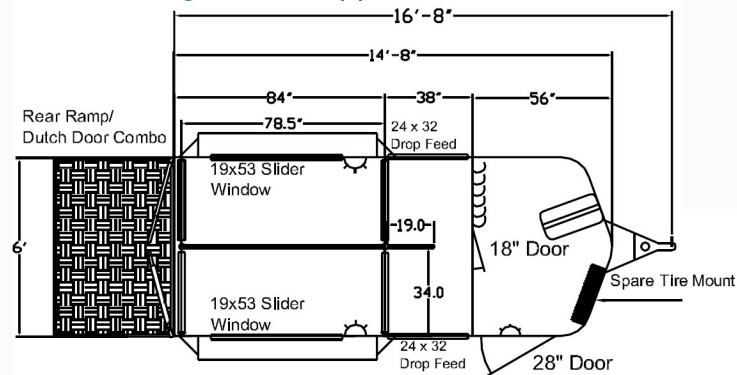


Jilliby, NSW, 2259  
0414 416 165

US Models Shown

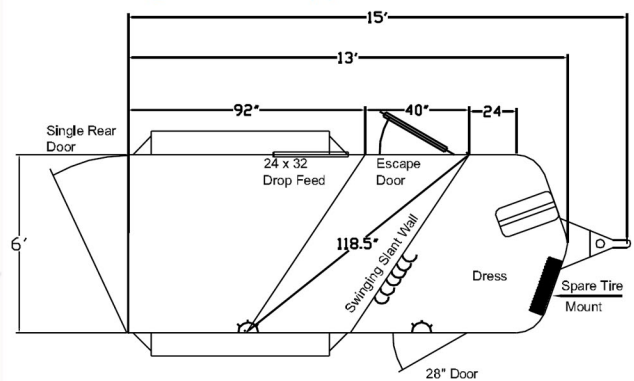
Model: Stablemate 6145S-2STR-BP

Height: 7' 6" Approx Wt: 2620 lbs



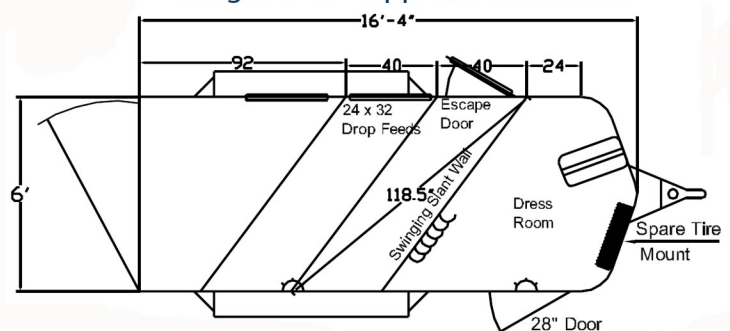
Model: Stablemate 613SC-2SL-BP-E

Height: 7' 0" Approx Wt: 2360 lbs



Model: Stablemate 616SC-3SL-BP-E

Height: 7' 0" Approx Wt: 2650 lbs



[www.MyShadow.com.au](http://www.MyShadow.com.au)

Due to continuous product enhancements and improvements, trailer features and specs may change without notice or warning. Check with local dealer for current model info. Photos may show optional equipment.